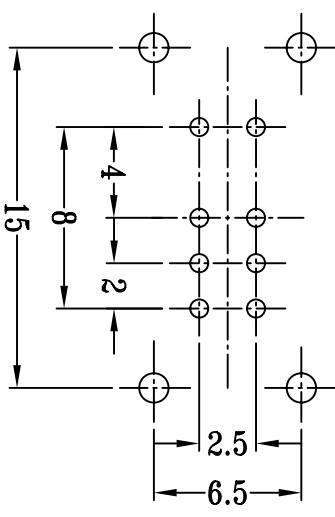
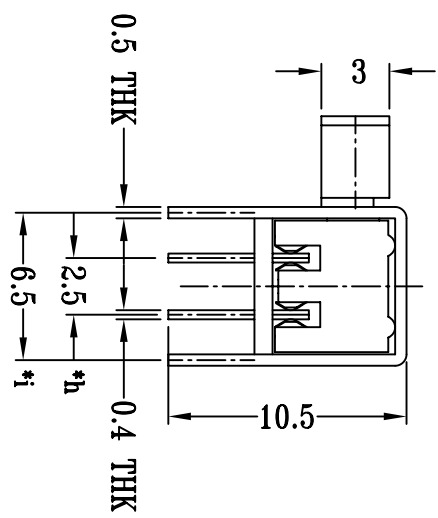
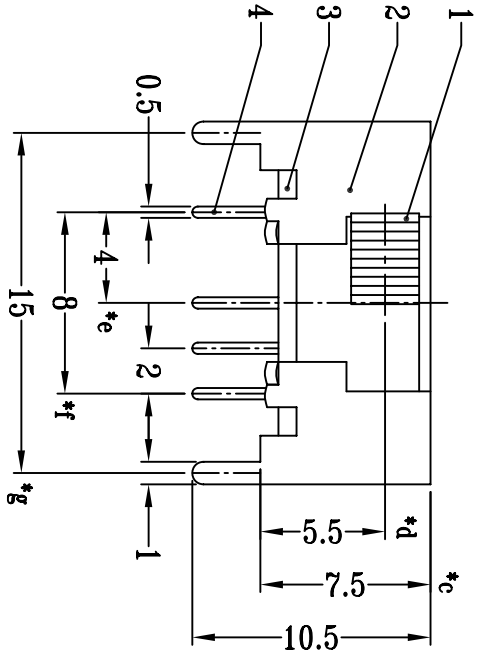
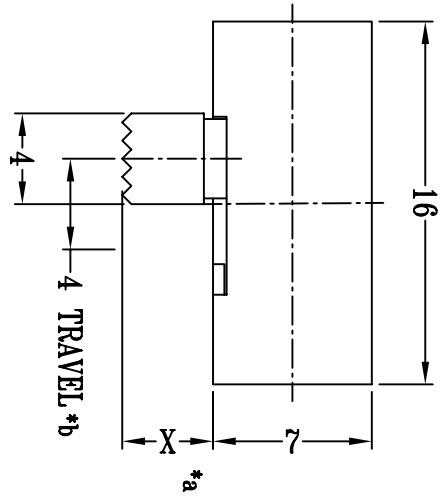
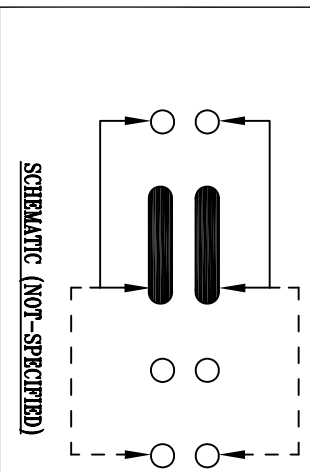




CAD FILE:



P.C.B LAYOUT



8																					
7	CONTACT CLIP	PBS STRIP	2	Ag PLATED	TOLERANCE UNLESS SPECIFIED		SHENZHEN XIEJIA ELECTRONICS CO.,LTD.														
6	SPRING	STEEL WIRE	1	TEMPER	WITHIN: 1.5±0.1mm	ISSUE	DATE	DESCRIPTIONS OF REVISION		APPD.											
5	STEEL BALL	STEEL	1	NATURAL	OVER: 1.5±0.2mm			UNIT: mm	SCALE: 3:1	DRWG NO.: XJ-DR-SK22H33-00											
4	TERMINAL	BRASS STRIP	8	Ag PLATED OVER Ni PLATED	TITLE: HORIZONTAL SLIDE SWITCH					ALL MATERIALS MUST BE COMPLIANT TO ROHS											
3	BASE	PHENOLIC RESIN	1	NATURAL	MODEL: SK-22H33				DWN. ZHOUYU	2007-6-9											
2	FRAME	STEEL STRIP	1	Ni PLATED					CHK'D FANGYING	2007-6-9											
1	KNOB	POM	1	BLACK					APPD. KANGXINAN	2007-6-9											
NO.	PARTS	MATERIALS	QTY	FINISH																	

注:带*表示关键尺寸(9个)